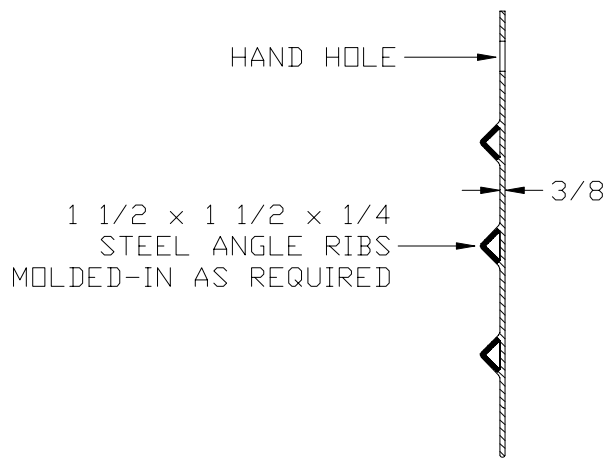


SECTION A-A



SECTION B-B

SLIDE GATE & SURFACE-MOUNTED GUIDE FRAME

REV 1
7/14/99
J. RIGG



WARMINSTER FIBERGLASS