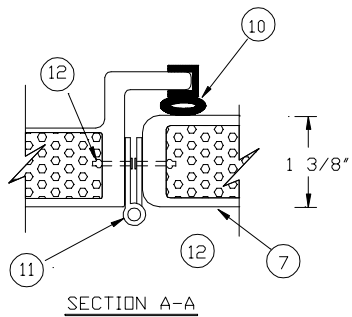
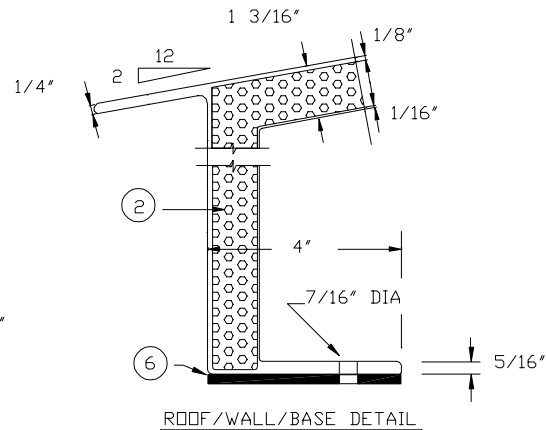
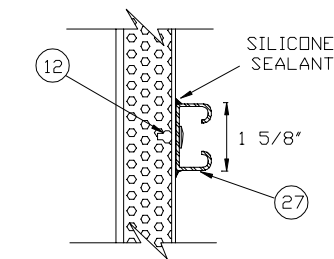
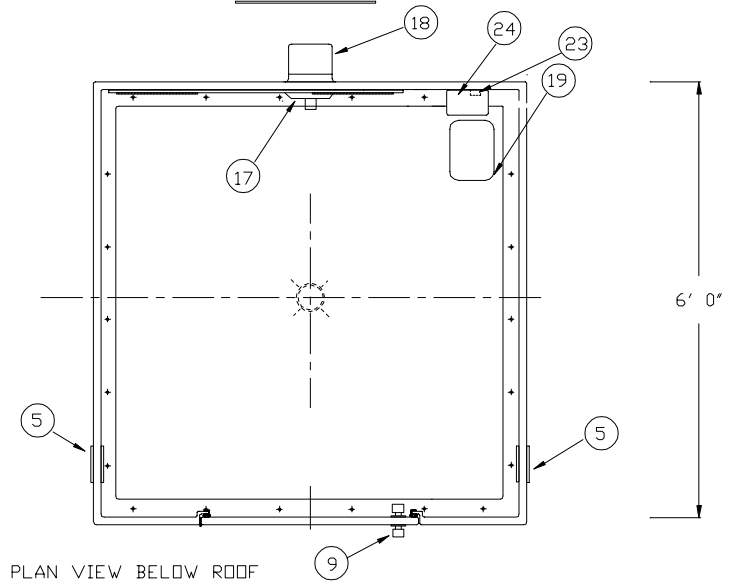
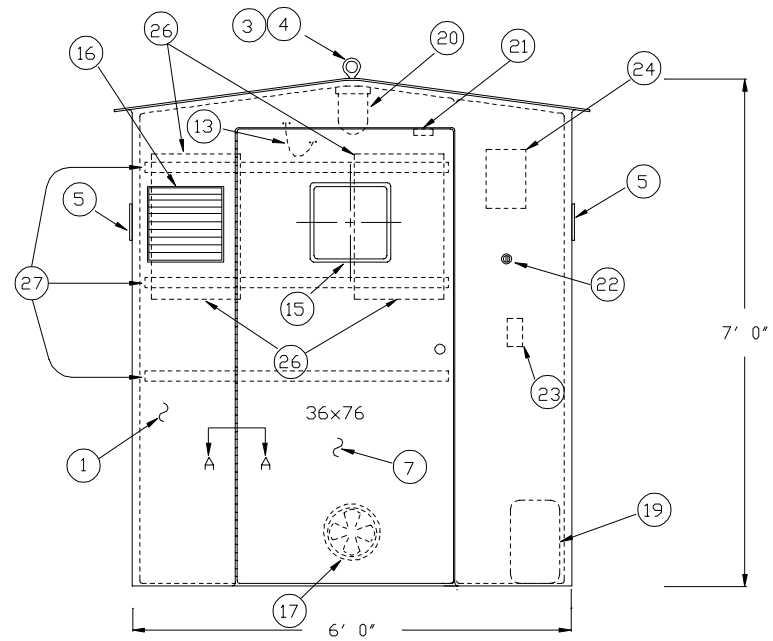


BILL OF MATERIAL		
ITEM	QTY.	DESCRIPTION
1	1	SHELTER - ONE PIECE MOLDED FIBERGLASS - WHITE
2	A.R.	INSULATION - 1" RIGID POLYISOCYANURATE FOAM
3	2	LIFTING EYE BOLT - CADMIUM PLATED - REMOVABLE
4	2	LIFTING BOLT SUPPORT PLATE - STEEL - ENCAPSULATED
5	2	LOUVRE - 6" PVC w/ SCREEN - MANUALLY ADJUSTABLE
6	A.R.	FLOOR GASKET - 4"x 1/4" NEOPRENE SPONGE
7	1	DOOR - 36"x 76" - RTM MOLDED FIBERGLASS - SMOOTH BOTH SIDES
9	2	DOOR ENTRANCE LOCKSET- US32D - S.S. - w/ KEYS
10	A.R.	DOOR GASKET - HOLLOW "P" NEOPRENE SPONGE
11	1	DOOR HINGE - 2" SS OPEN PIANO TYPE
12	A.R.	FASTENERS - POP RIVETS
13	1	DOOR STOP - CHAIN & SPRING ASSEMBLY - PLATED
14	A.R.	DOOR & FRAME REINFORCEMENT - ENCAPSULATED (NOT SHOWN)
15	1	DOOR WINDOW - SAFETY GLASS 12"x 12"x 1/4" w/ GASKET
16	1	12x12 PVC VENT w/ FRP GRAVITY SHUTTER & INSECT SCREEN
17	1	EXHAUST FAN - 120 CFM w/ SHUTTER
18	1	EXHAUST FAN CANOPY - FIBERGLASS w/ SCREEN
19	1	HEATER - 1500 WATTS w/ THERMOSTAT
20	1	LAMP - VAPOR TIGHT w/ GLOBE & GUARD
21	1	MICROSWITCH - FAN & LIGHT - DOOR OPERATED
22	1	SELECTOR SWITCH - AUTO/MANUAL - LIGHT & FAN
23	1	DUPLEX OUTLET
24	1	DUPLEX FUSE BOX - 2 POLE, 30 AMP
25	A.R.	WIRING IN 1/2" FLEXIBLE LIQUID-TIGHT PVC CONDUIT
26	2	SUB-PANEL - FIBERGLASS 21"x 15"x 1/4"
27	3	MOUNTING CHANNEL - GALV. STEEL POWER STRUT #PS-500
28	2	SAFETY CHAIN FOR CHLORINE CYLINDER
ITEMS NOT SHOWN: 4, 14, 25 AND 28		



MODEL WFS1006-6C CHLORINATION SHELTER
 WITH MOST POPULAR OPTIONS

WF WARMINSTER FIBERGLASS