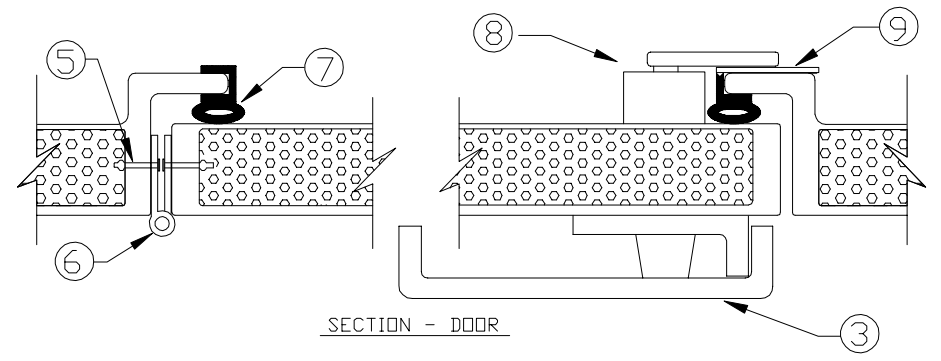
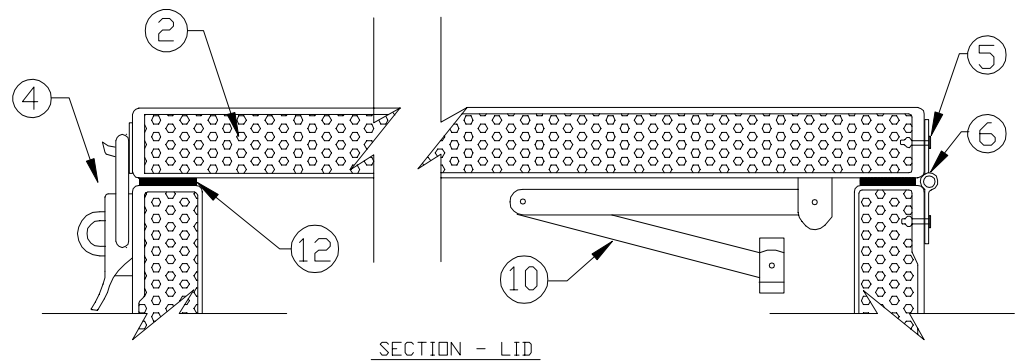


ITEM	QTY.	DESCRIPTION
1	1	ENCLOSURE: ONE-PIECE MOLDED FRP (WHITE)
2	AR	INSULATION: 1" RIGID POLYISOCYANURATE FOAM
3	1	HANDLE: S.S., PADLOCKABLE
4	2	DRAW LATCH: S.S. WITH PADLOCK EYE
5	AR	FASTENER - POP RIVET
6	2	HINGE: S.S., 2½" OPEN PIANO TYPE
7	AR	DOOR GASKET: NEOPRENE SPONGE
8	1	DOOR LATCH: EBERHARD NO. 5647
9	1	STRIKE PLATE: 20 GAUGE, S.S.
10	2	LID SUPPORT: STANLEY NO. 446, ZINC PLATED
11	2	LOUVERS: 6" DIAMETER, PVC, ADJUSTABLE
12	AR	LID GASKET: 1" x ¼" NEOPRENE SPONGE
13	AR	FLOOR GASKET: 4" x ¼" NEOPRENE SPONGE
14	1	DOOR: 24"W x 21"H, FRP



MODEL WFS3030S ENCLOSURE

WF WARMINSTER FIBERGLASS