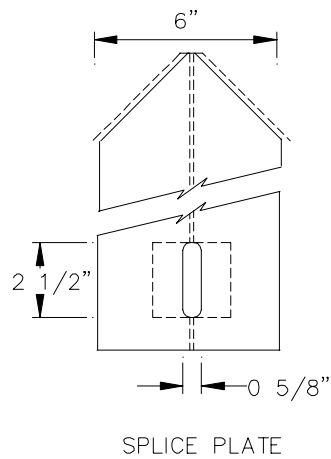


ESTIMATED FLOW per FOOT of WEIR			
Head (inches)	C.F.S.	G.P.M.	G.P.D.
1/2	.0018	.80	1152
5/8	.0032	1.42	2044
3/4	.0050	2.22	3196
7/8	.0074	3.28	4724
1	.0102	4.58	6596
1 1/8	.0136	6.14	8842
1 1/4	.0178	7.98	11492
1 3/8	.0226	10.14	14602
1 1/2	.0280	12.60	18144
1 5/8	.0342	15.38	22148
1 3/4	.0412	18.52	26668
1 7/8	.0490	22.00	31680
2	.0576	25.85	37238
2 1/8	.0671	30.08	43315
2 1/4	.0774	34.70	49968
2 3/8	.0886	39.73	57211
2 1/2	.1007	45.16	65030
2 5/8	.1138	51.02	73469
2 3/4	.1278	57.31	82526
2 7/8	.1428	64.05	92231

INSTALLATION	"A"	SPACES	"B"
Round Tank	19 - 15/16"	1 of 20"	19 - 15/16"
Flat Wall	11 - 15/16"	3 of 12"	11 - 15/16"

THICKNESS: 1/4" or 3/8"
 COLOR: White or Turquoise



WEIR PLATE 2-7/8 90° V-NOTCHES 6" C-C

SCALE: 2" = 1'
 TOL.: ± 1/8"

WF WARMINSTER FIBERGLASS