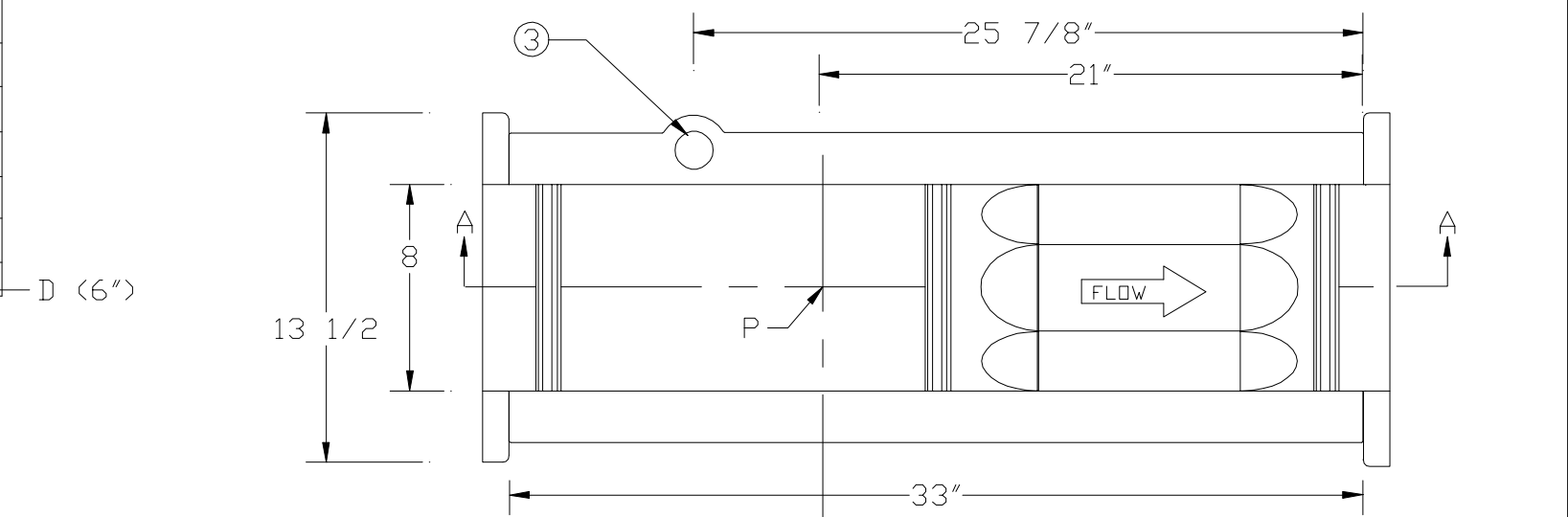
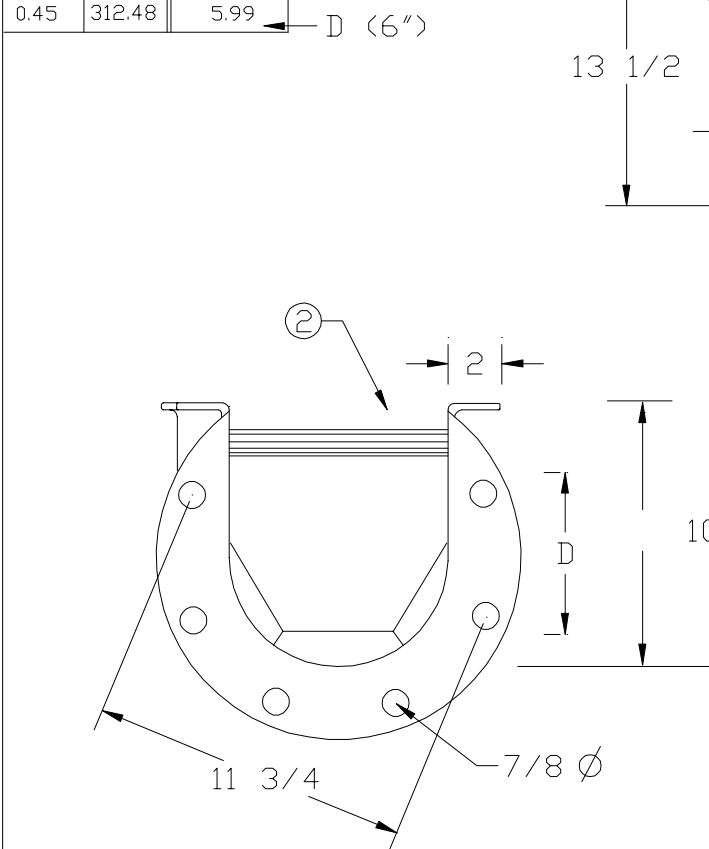


CAPACITY		
FLOW MGD	FLOW GPM	HEAD IN.
0.01	6.94	0.69
0.02	13.89	1.06
0.03	20.83	1.36
0.04	27.78	1.61
0.05	34.72	1.84
0.06	41.66	2.04
0.07	48.61	2.23
0.08	55.55	2.41
0.09	62.50	2.57
0.10	69.44	2.73
0.15	104.16	3.40
0.20	138.88	3.95
0.25	173.60	4.43
0.30	208.32	4.85
0.35	243.04	5.25
0.40	277.76	5.63
0.45	312.48	5.99

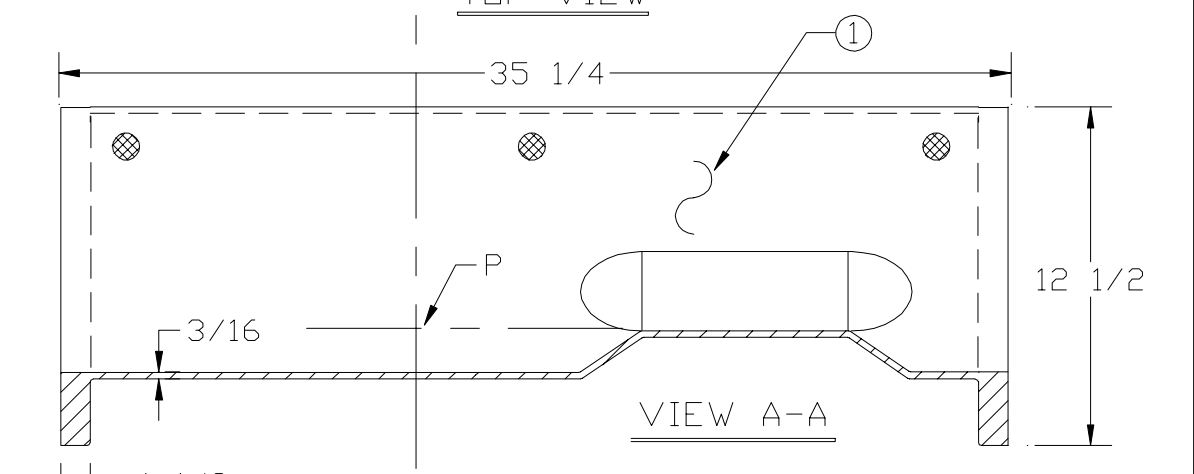
BILL OF MATERIAL	
1	Molded fiberglass polyester flume with smooth inside finish (white)
2	1"x 8" Solid PVC spacer rods with SS hardware
3	Optional 1 1/2" NPT socket for ultrasonic mounting pipe - Right or Left - (shown left)



TOP VIEW



END VIEW



VIEW A-A

LEGEND	
D	Effective measuring depth (6")
P	Point of measurement (reference)

8" PALMER-BOWLUS FLUME

WITH FLANGES

WARMINSTER FIBERGLASS