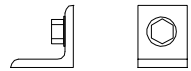


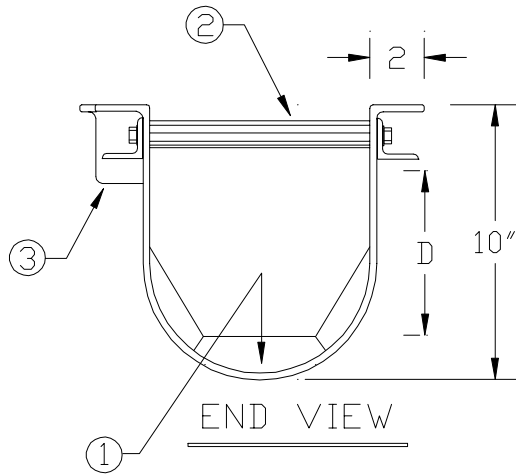
CAPACITY

| FLOW MGD | FLOW GPM | HEAD IN. |
|----------|----------|----------|
| 0.01 | 6.94 | 0.69 |
| 0.02 | 13.89 | 1.06 |
| 0.03 | 20.83 | 1.36 |
| 0.04 | 27.78 | 1.61 |
| 0.05 | 34.72 | 1.84 |
| 0.06 | 41.66 | 2.04 |
| 0.07 | 48.61 | 2.23 |
| 0.08 | 55.55 | 2.41 |
| 0.09 | 62.50 | 2.57 |
| 0.10 | 69.44 | 2.73 |
| 0.15 | 104.16 | 3.40 |
| 0.20 | 138.88 | 3.95 |
| 0.25 | 173.60 | 4.43 |
| 0.30 | 208.32 | 4.85 |
| 0.35 | 243.04 | 5.25 |
| 0.40 | 277.76 | 5.63 |
| 0.45 | 312.48 | 5.99 |

D (6")

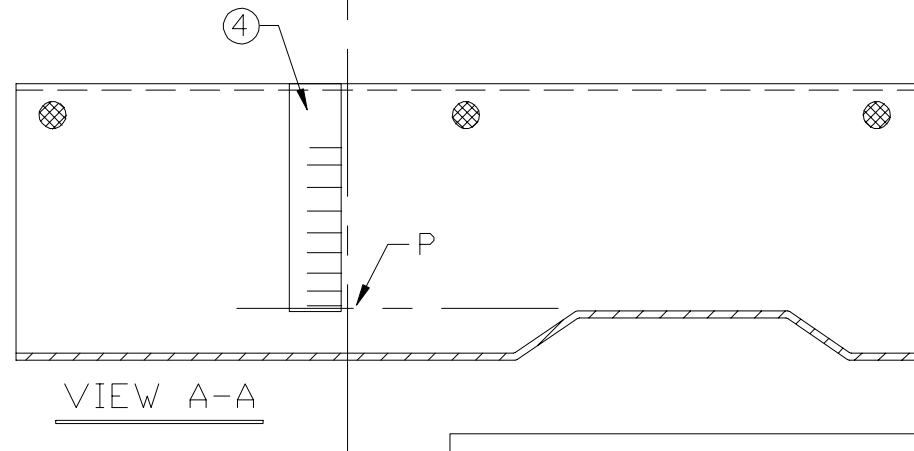
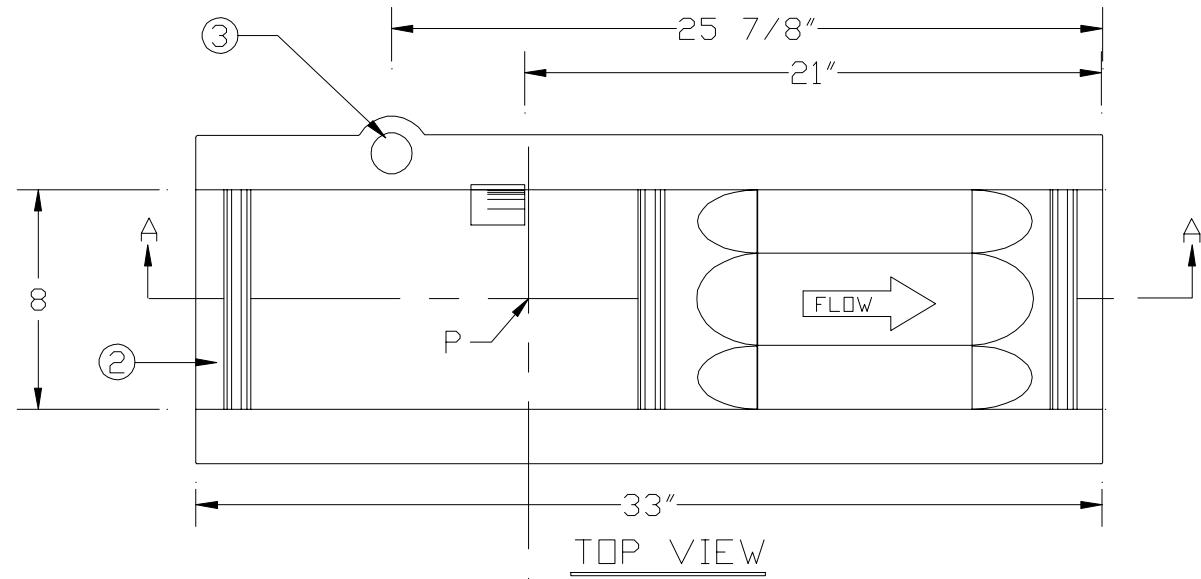


ANCHOR CLIP



BILL OF MATERIAL

| | |
|---|--|
| 1 | Molded fiberglass polyester flume with smooth inside finish (white) |
| 2 | 1"x 8" Solid PVC spacer rods with SS hardware and FRP anchor clips (see detail) |
| 3 | Optional 1 1/2" NPT socket for ultrasonic mounting pipe - Right or Left - (shown left) |
| 4 | Optional staff gauge - Right or Left - (shown left) |



LEGEND

| | |
|---|----------------------------------|
| D | Effective measuring depth (6") |
| P | Point of measurement (reference) |

8" PALMER-BOWLUS FLUME



WARMINSTER FIBERGLASS