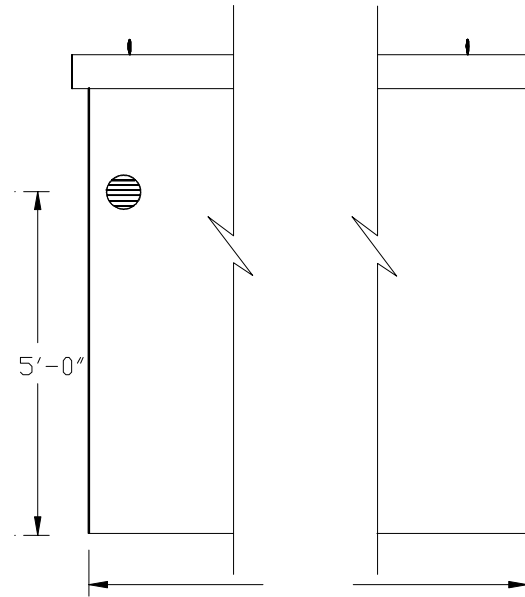
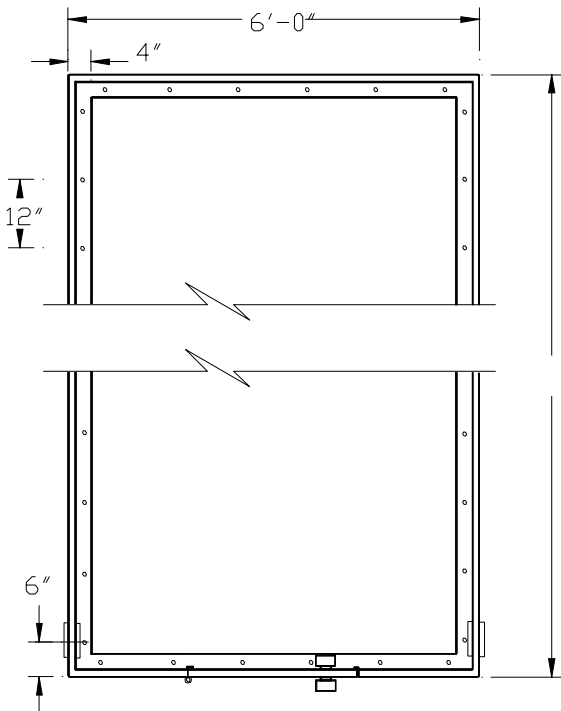


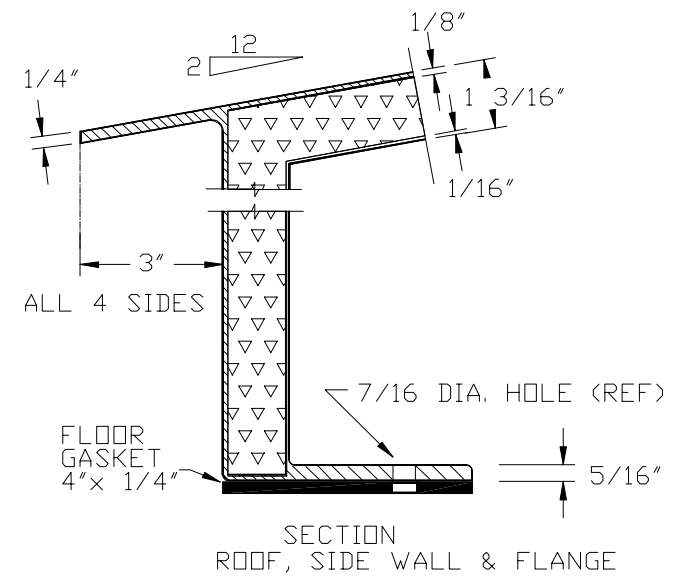
FRONT VIEW



SIDE VIEW



PLAN VIEW - BELOW ROOF



SECTION
ROOF, SIDE WALL & FLANGE

MODEL WFS1006- FIBERGLASS SHELTER

WF WARMINSTER FIBERGLASS