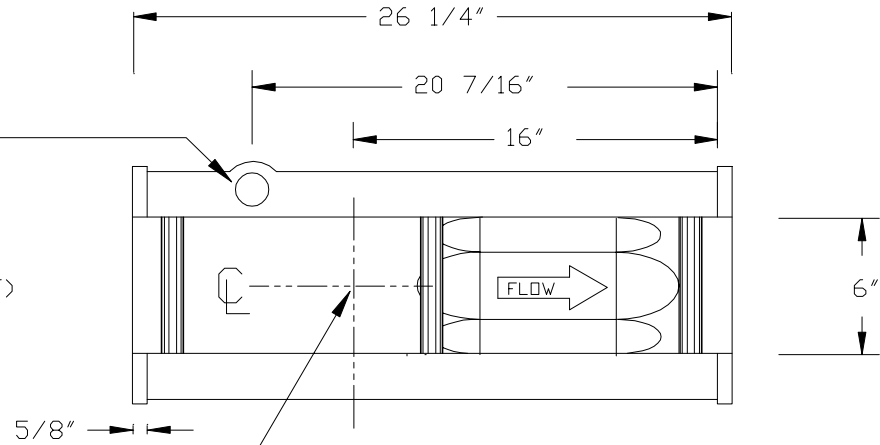


CAPACITY

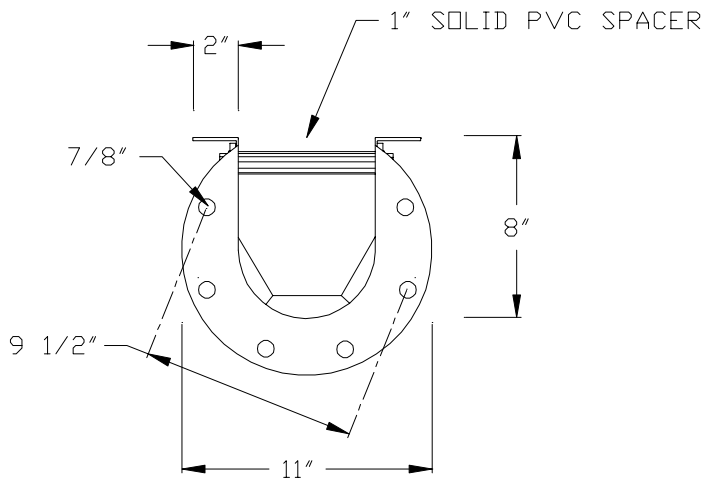
FLOW MGD	FLOW GPM	HEAD IN.
0.01	6.94	.81
0.02	13.89	1.23
0.03	20.83	1.55
0.04	27.78	1.83
0.05	34.72	2.08
0.06	41.66	2.29
0.07	48.61	2.49
0.08	55.55	2.68
0.09	62.50	2.85
0.10	69.44	3.01
0.15	104.16	3.69
0.20	138.88	4.28
0.25	173.60	4.82

OPTIONAL
1 1/2" NPT
ULTRASONIC
CONNECTION
(LEFT or RIGHT)

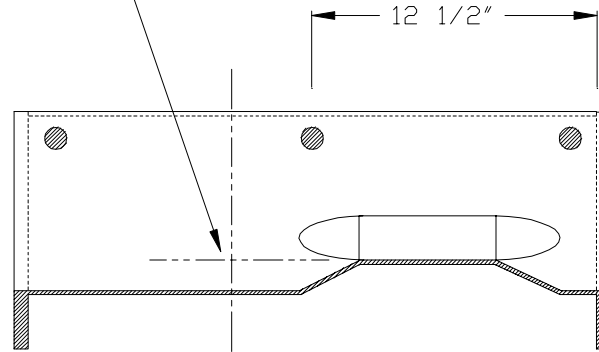


TOP VIEW

POINT OF MEASUREMENT



END VIEW



SECTIONAL SIDE VIEW

MODEL WFPB1006 PALMER BOWLUS FLUME

WITH 6" PIPE FLANGES

WF WARMINSTER FIBERGLASS