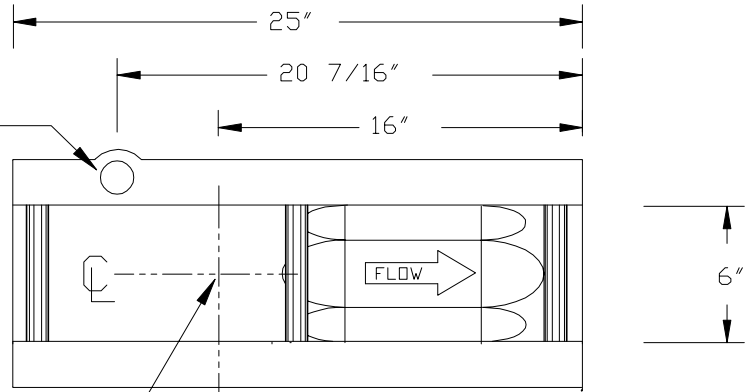


CAPACITY

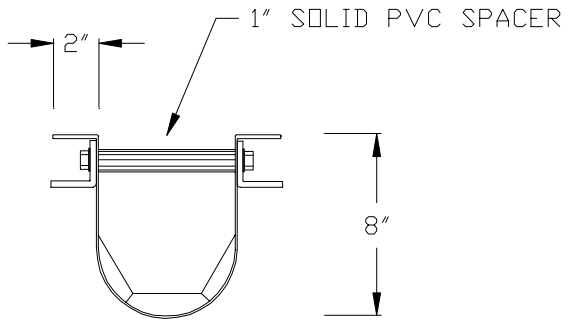
FLOW MGD	FLOW GPM	HEAD IN.
0.01	6.94	.81
0.02	13.89	1.23
0.03	20.83	1.55
0.04	27.78	1.83
0.05	34.72	2.08
0.06	41.66	2.29
0.07	48.61	2.49
0.08	55.55	2.68
0.09	62.50	2.85
0.10	69.44	3.01
0.15	104.16	3.69
0.20	138.88	4.28
0.25	173.60	4.82

OPTIONAL
1 1/2" NPT
ULTRASONIC
CONNECTION
(LEFT or RIGHT)

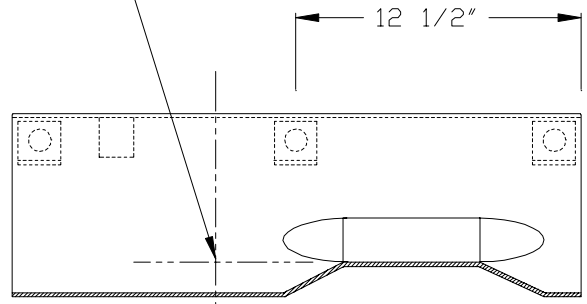


TOP VIEW

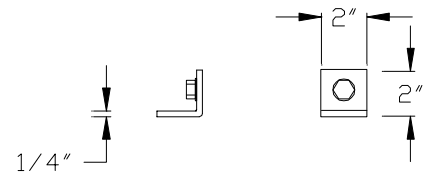
POINT OF MEASUREMENT



END VIEW



SECTIONAL SIDE VIEW



CLIP DETAIL

MODEL WFPB1006 PALMER BOWLUS FLUME

PERMANENT TYPE

WF WARMINSTER FIBERGLASS