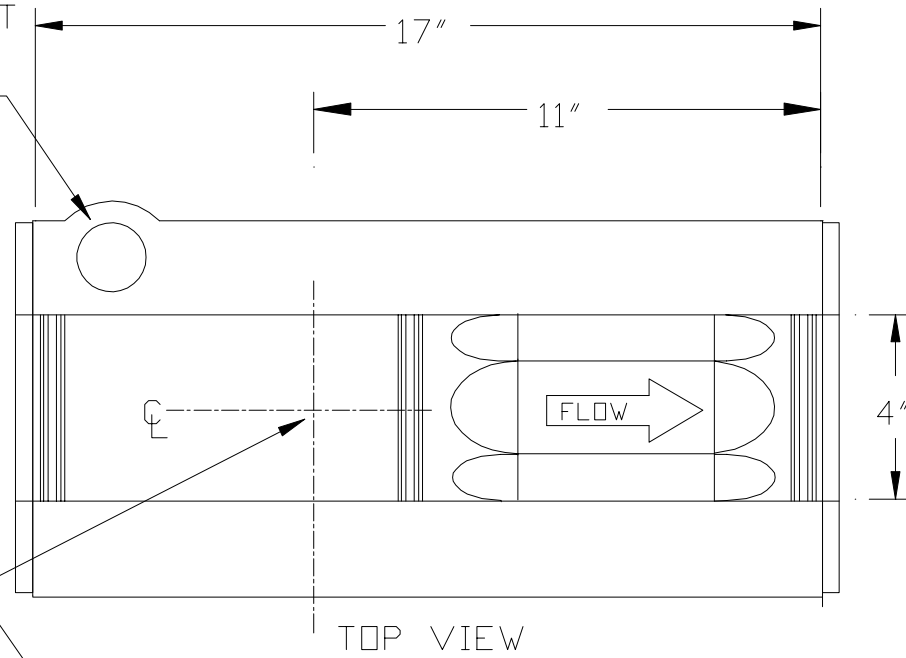
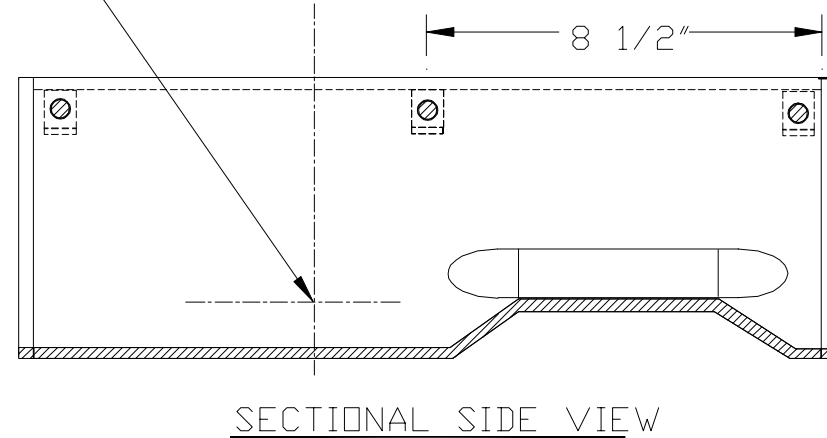
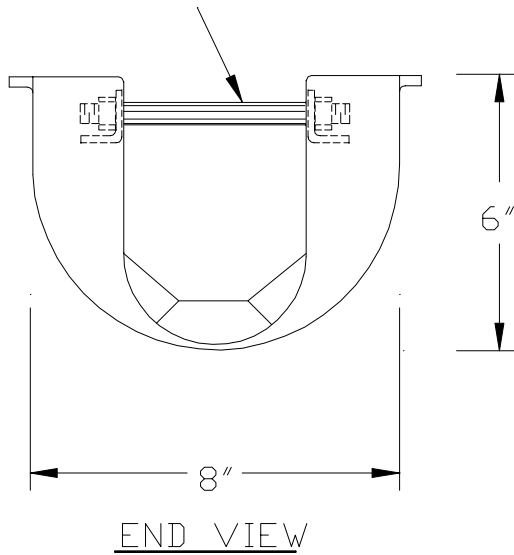


OPTIONAL 1-1/2" NPT
ULTRASONIC
CONNECTION
(LEFT OR RIGHT)



POINT OF MEASUREMENT

1/2" SPACER RODS



Model WFPB1004 4" Palmer Bowlus Flume

with 8" Bulkhead Fittings

WF WARMINSTER FIBERGLASS